



Cast Louvre Kit

Installation Instructions

Model: EWF36CLK

Please read these instructions before beginning the installation.

General Information

Install the louvre kit after all other fireplace installation work has been completed, thoroughly checked and tested for proper operation and installation requirements.

Check Contents of Shipping Carton

Compare contents shown in Figure 1 with actual parts received. If any parts are missing or damaged, contact your local dealer before starting installation.

Louvre Kit Parts:

Basic universal (4)	20006024
Hinge Cover (2)	20005994
1/4 - 20 x 1/2" phillips round head screw (4)	
Instruction sheet	

Tools required: phillips screwdriver, needlenose pliers

Install Basic Universal

1. Insert each basic universal into openings in fireplace. Be sure the damper tabs have engaged plate steel metal flanges in openings. **NOTE:** The damper tabs always point down. (Fig. 2)
2. Before inserting upper right panel, push the damper handle in flush with face. Once the panel is in place, use needlenose pliers to pull damper handle out through lattice in panel.
3. Adjust the panels for a symmetric appearance.

Install Hinge Covers

1. Align hinge cover on outside of hinge with holes located in the hinge. (Fig. 3)
2. Attach hinge cover using screws provided.

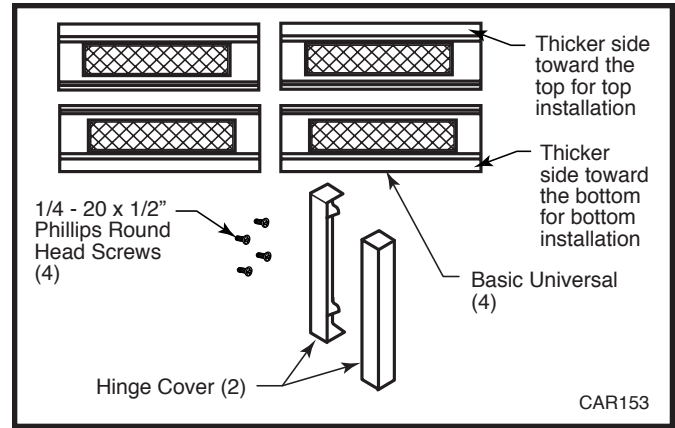


Fig. 1 Carton contents.

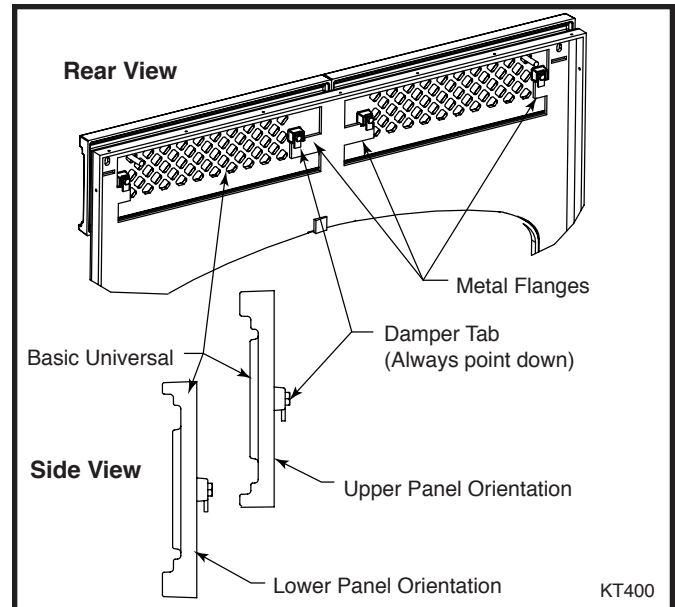


Fig. 2 Place basic universal, making sure the damper tabs engage plate steel metal flanges of fireplace.

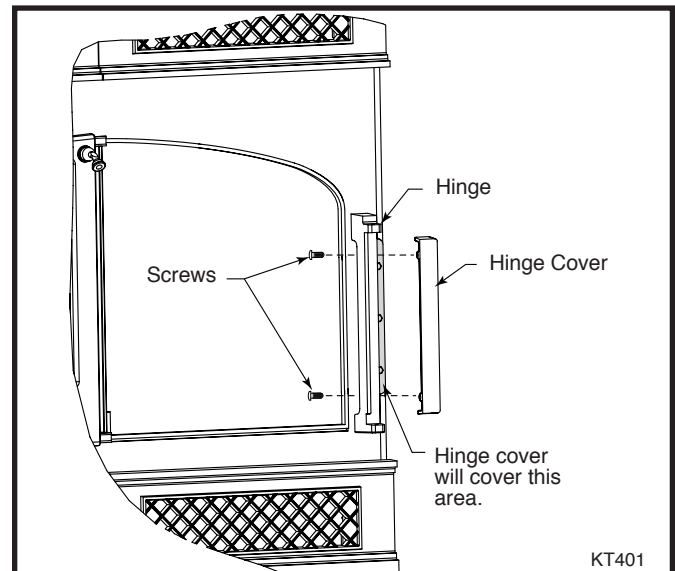


Fig. 3 Install hinge cover.

MHSC

149 Cleveland Drive • Paris, Kentucky 40361
www.mhsc.com